

HV 55/2 HV 55/2-40

List of spares

When placing orders for spares, never forget to mention the required number of pieces, the type or

number; for illustration no. 1 also the voltage and periodicity.

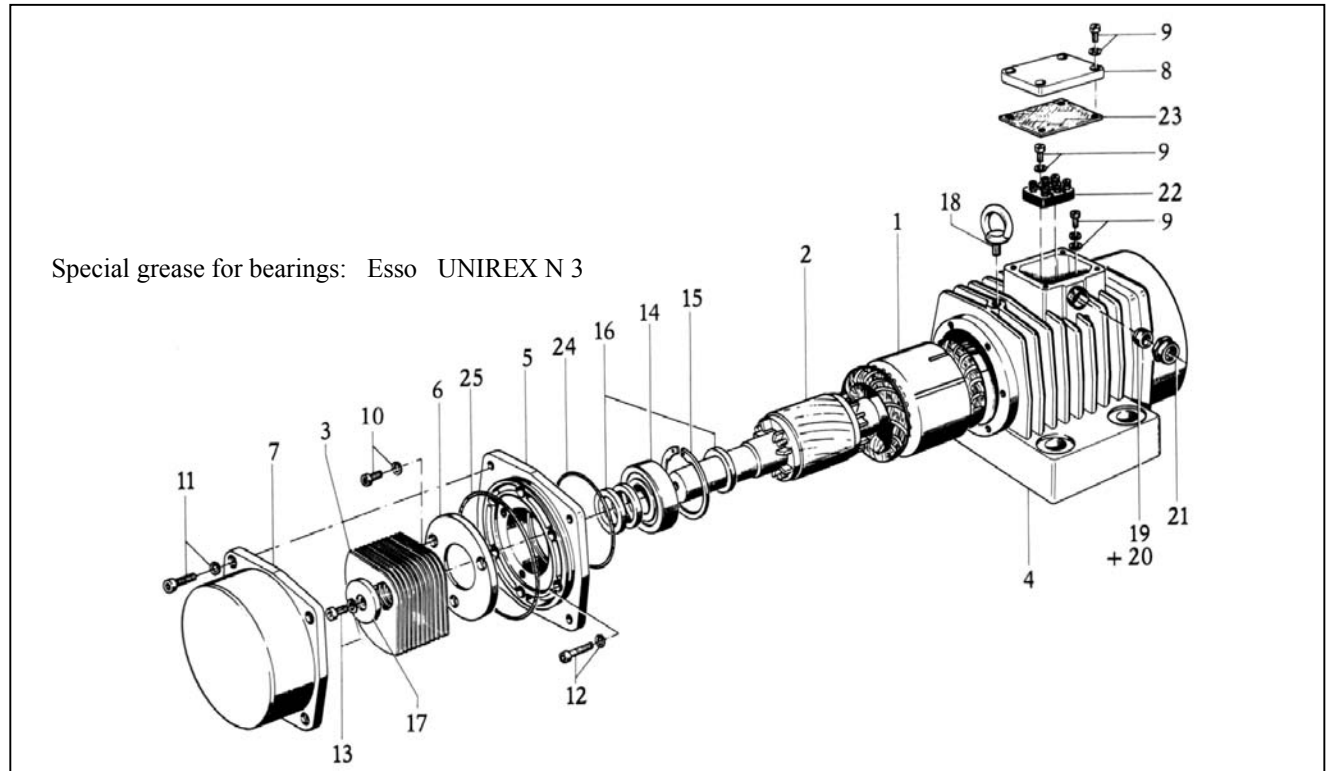


	Fig. No.	Order No.	Pieces
HV 55/2	1	58601	1
	2	47701	1
	3	75551	24
	7	04701	2
HV 55/2-40	1	58601	1
	2	47711	1
	3	75551	18
	7	04601	2
	4	04301	1

Fig. No.	Order No.	Pieces
5	04401	2
6	04501	2
8	05401	1
9	21401	7
10	22501	6
11	22701	8
12	22801	12
13	23101	2
14	25111	2
15	26401	2

Fig. No.	Order No.	Pieces
16	27601	7
17	27811	2
18	28101	1
19	29501	1
20	29601	1
21	29701	1
22	50901	1
23	75821	1
24	75951	2
25	75961	2

Particulars of winding

∅ varnished wire	0,63 + 0,61
windings / groove	37/37
rated voltage	230/400 V - 50 Hz
insulant class	F
connection	series

WÜRGES · Vibrationstechnik GmbH
 D-86356 Neusäß/Augsburg
 Daimlerstraße 9
 telefon: 0049/821/463081
 telefax: 0049/821/463084
 e-Mail: info@wuerges.de
 internet: http://www.wuerges.de

